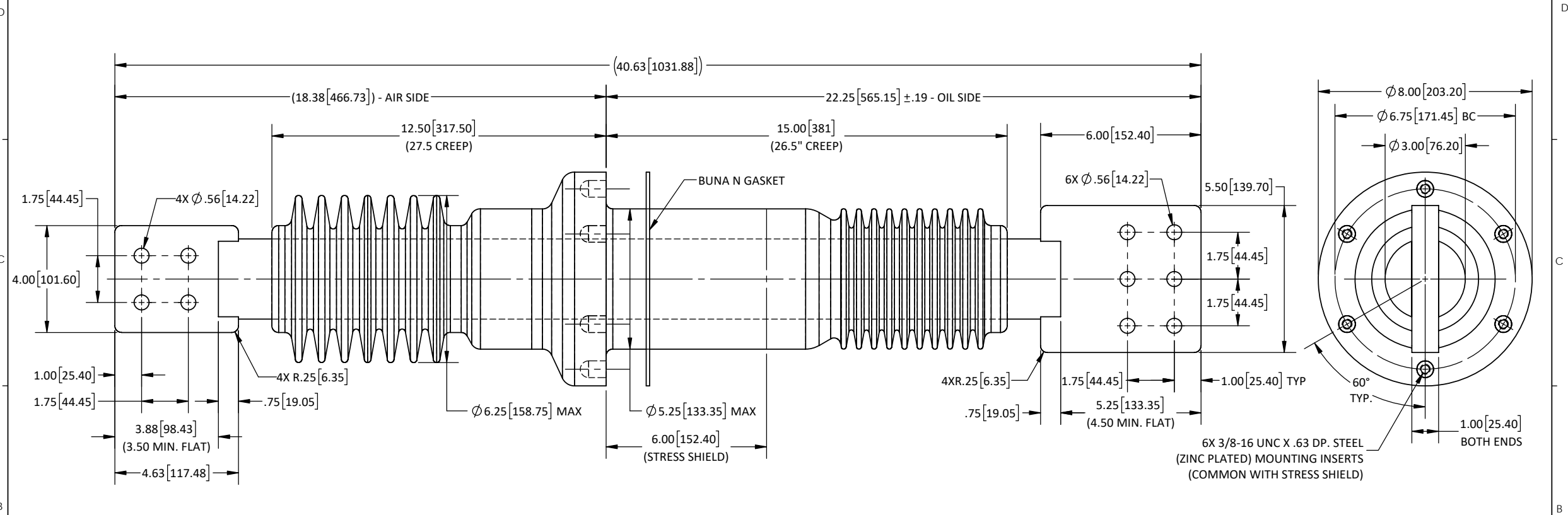


REVISIONS					
REV.	DATE	ECN #	DESCRIPTION	BY	APP'D
1	2/22/2017	PQI13916	ADDED NOTE 2. UPDATED SPECS	TJF	BLB

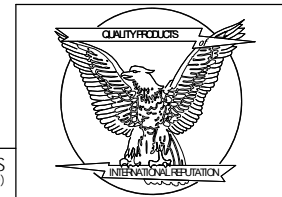


- NOTES:**
1. ALL CONTACT SURFACES TO BE CLEAN & FREE FROM FLASH
 2. SIDEWALL MOUNTING WITH 25 TO 30 FT-LBS

- MATERIAL:**
1. E07 CYCLOALIPHATIC EPOXY (U.V. EXPOSED), COLOR: GREY
 2. HD ETP COPPER C11000, TIN PLATED - CONDUCTOR
 3. HD ETP COPPER C11000, TIN PLATED - SPADES

- SPECIFICATIONS:**
1. MANUFACTURED IN ACCORDANCE WITH...C57.19.01-2000 AND IEC 60137
 2. APPLICATIONOUTDOOR SERVICE
 3. RATED VOLTAGE38 KV
 4. BASIC IMPULSE LEVEL150 KV
 5. NOMINAL CURRENT RATING4000 AMPERES
 6. PARTIAL DISCHARGES.....25pC @ 1.5 L-G VOLTAGE
 7. EXTERNAL CREEP27.5" [699 MM]
 8. TEMPERATURE CLASSIFICATION-50° C TO +105° C
 9. CANTILEVER LOAD (SAFE)355 LBF [1575N]
 10. CANTILEVER LOAD (ULTIMATE)709 LBF [3150N]
 10. CANTILEVER LOAD (ULTIMATE)709 LBF [3150N]
 11. APPROXIMATE WEIGHT112.40 LBS

-PRELIMINARY-



H-J INTERNATIONAL, INC.
 3010 HIGH RIDGE BLVD. HIGH RIDGE, MO. 63049 USA
 PHONE 1-636-677-3421 FAX 1-636-376-1915

38kV / 4000A
 OUTDOOR POWER APPARATUS BUSHING

DRAWING NO. **20-504-003**

SCALE 2:5 SIZE B REV. 1 SHEET 1 OF 1

PROPRIETARY AND CONFIDENTIAL	TOLERANCES (EXCEPT AS NOTED)
ONE PLACE MM ±1.50	APPROVED BY NK DATE 04/01/2014
TWO PLACE MM ±0.75	CHECKED BY NK DATE 04/01/2014
TWO PLACE DEC. ±0.60	DRAWN BY CLS DATE 04/01/2014
THREE PLACE DEC. ±0.30	TOOL NO. T20-504-0
FRACTIONS ± 1/16"	PRODUCT GRP. 2000 SERIES
ANGLES 2°	

BREAK ALL SHARPS UNLESS OTHERWISE NOTED